

Advancethings IoT gateway system delivers device connectivity, security and processing power for global IoT applications. Configurable IoT gateway allows you to make custom gateway with required wireless connectivity, Edge-compute, storage and industrial protocols. It provides complete solution including gateway and partners cloud platform, dashboard for all IoT end applications.



The IIOT gateway system is an intelligent, robust embedded system platform supporting wide application development and easy service deployment, presenting outstanding performance in Internet of Things,

It brings IoT connectivity into factories, industrial equipment and machines for smart manufacturing and Industry 4.0. It delivers data acquisition capability, IoT connectivity, convenience of remote monitoring, and industrial durability to provide end-to-end connectivity for the Industrial Internet of Things (IIoT). It connects unconnected sensors, fieldbus-based controllers, legacy manufacturing machines, serial-based devices, PLCs to the cloud, enabling field data to be harnessed for manufacturing process optimization, remote management, and preventive maintenance

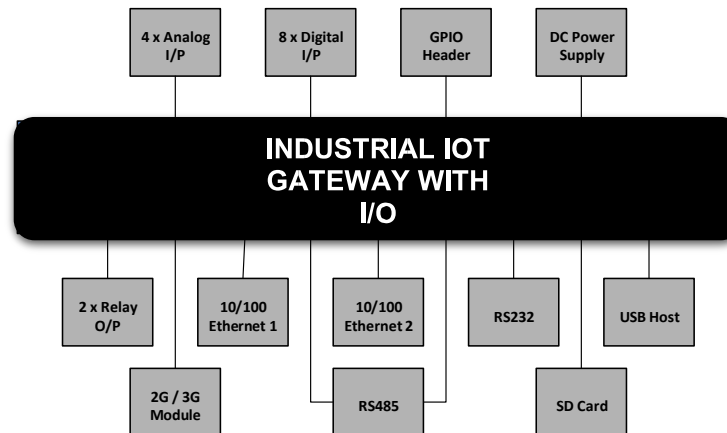
PRODUCT HIGHLIGHTS

- NXP ARM Cortex™-A5 Or Cortex™-A7 SoC
- Onboard RAM and Flash
- Ethernet 10/100 X 2
- Isolated RS485X1 & RS232X1
- Digital IO and Analog IO
- Fan less Cooling
- 2G/3G (optional)
- Wi-Fi (optional)
- Modbus RTU

INDUSTRY APPLICATION

- Factory Automation
- Automotive
- Food & Beverage
- Oil & Gas
- Energy and Power Utilities
- Wind and Solar
- Building Automation

IoT Gateway Block Diagram



Specification

CPU	ARM Cortex™-A5 @500MHz with RAM 256MB DDR3 & Flash 512MB NAND
Wireless Modem (2G/3G)	Quad band GSM / GPRS / EDGE 850/900/1800/1900 MHz Quad Band UMTS/HSPA 850/900/1900/2100 MHz
Ethernet	2 x 10/100 Mbit/S
Serial Port	2 x RS-232 and 1 x RS485 (Isolated)
USB Port	1 x USB Device
Wi-Fi	Dual-Band 802.11ac
Digital I/O	8 x Dry Contacts
Analog Inputs	4 x Analog Inputs (0-10 V or 0-20 mA)
Relay output	2 x Relay output (max 24 V, AC/DC, 1A)
microSD Slot	Yes
Protocol	Modbus RTU, Modbus TCP
Operating Temperature	-40 to +65 °C
Power Supply	12-48V DC

Ordering Information

PART NUMBERS	DESCRIPTION
BGT-1001	AdvanceTech gateway (NXP ARM Cortex™-A5) with 2xEthernet
BGT-1002	AdvanceTech Gateway (NXP ARM Cortex™-A5) with 2xEthernet & 2G Module
BGT-1003	AdvanceTech Gateway (NXP ARM Cortex™-A5) with 2xEthernet & 3G Module
BGT-2001	AdvanceTech gateway (NXP ARM Cortex™-A7) with 2xEthernet & WiFi
BGT-2002	AdvanceTech Gateway (NXP ARM Cortex™-A7) with 2xEthernet, WiFi & 2G Module
BGT-2003	AdvanceTech Gateway (NXP ARM Cortex™-A7) with 2xEthernet, WiFi & 3G Module
ACC-1001	DC Power Supply